

Figure 4.1.2.8 Top Chord Bearing Details

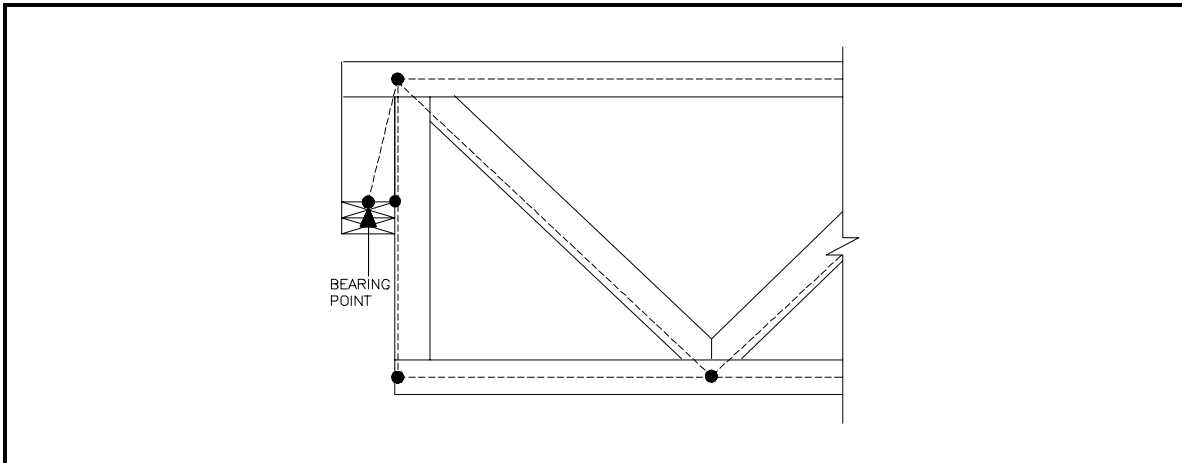


Figure 4.1.2.9 Top Chord Bearing with End Vertical and Block