

Figure 4.1.2.1.E Short Cantilevered Heel with Top and Bottom Reinforcing Web. Bearing Point at first Analogue Point.

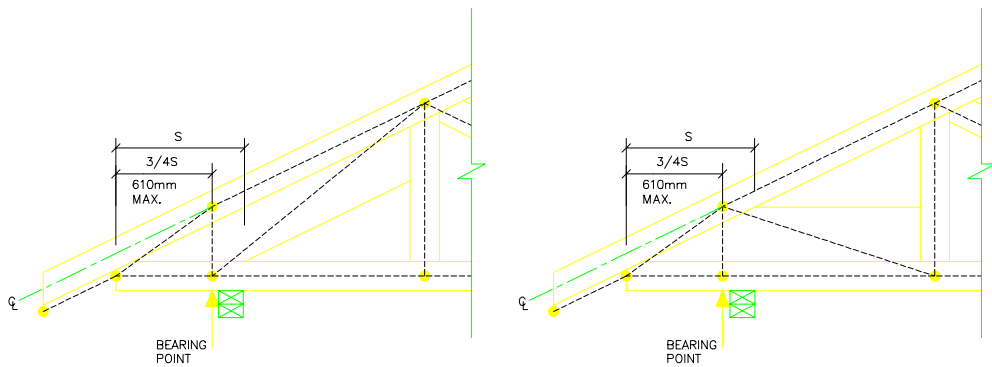


Figure 4.1.2.1.F Cantilevered Heel with Top and Bottom Reinforcing Web. Bearing Point at second Analogue Point.

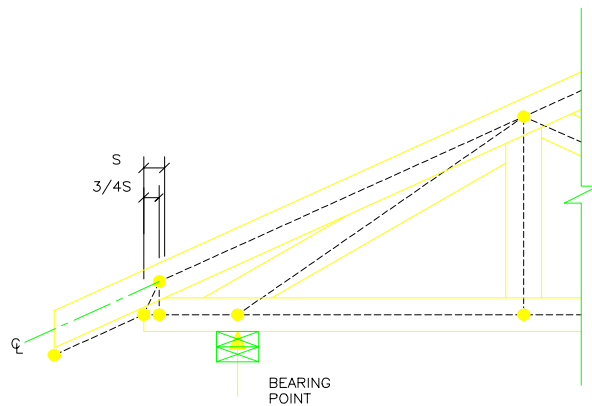


Figure 4.1.2.1.G Cantilevered Heel with Two Separate Joints.